



PDS Workshop

D. B. Propert

Defense Procurement and Acquisition Policy

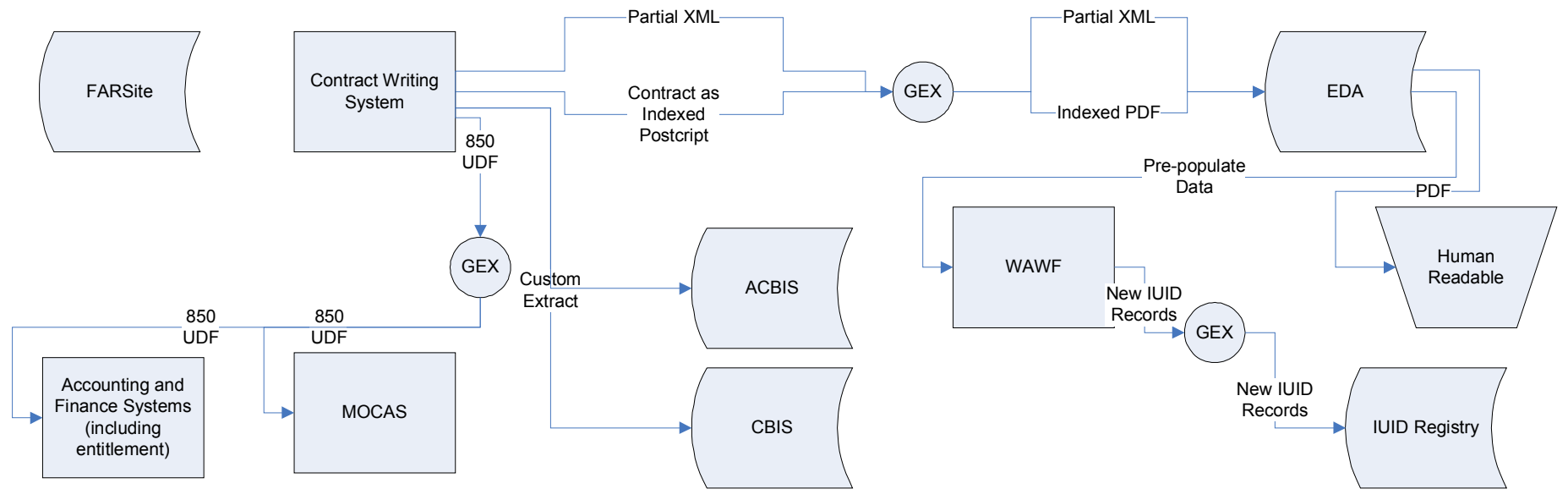
Judy Critzer

Northrop Grumman



Defense Procurement eBusiness Conference

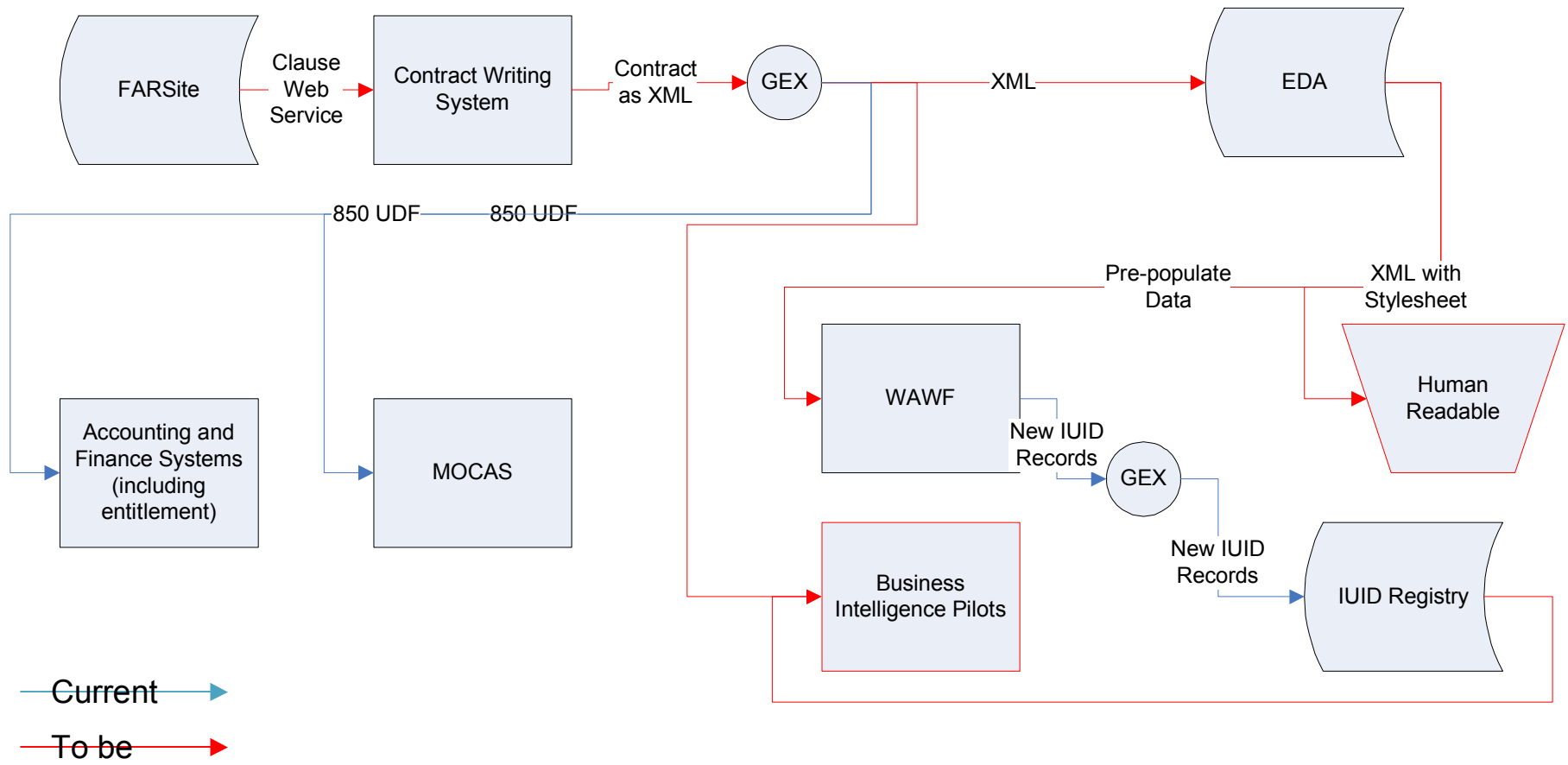
As Is





Defense Procurement eBusiness Conference

To Be



Procurement Data Standard Artifacts

- Contract Schema (.xsd)
- Enumeration and Annotation Document (.doc)
- Business Rules Document (.doc)
- Schema Diagrams (.png)
 - Header
 - CDRL and CLIN


Tools for Viewing Schema

- Altova XMLSpy
 - Not free.
 - http://www.altova.com/products/xmlspy/xml_editor.html
- Liquid XML Studio
 - Free Download of Graphical XML Schema (XSD) Editor
 - http://www.liquid-technologies.com/Product_XmlStudio.aspx
- For others:
http://esw.w3.org/topic/XML_Schema_software



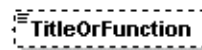
Understanding the PDS Schema




- Solid Box denotes a mandatory element or section.
- $x-\infty$: Must provide 'x' or more instances of the element or section. In this case, one instance is required. More may be provided.
-  : Denotes that this is a section not an element. If absent, denotes that the item is an element that can be populated with data.
- "ContactMethod": XML Tag Name of the section.



- Sequence.
- Elements and sections following the sequence must be provided in the order shown.

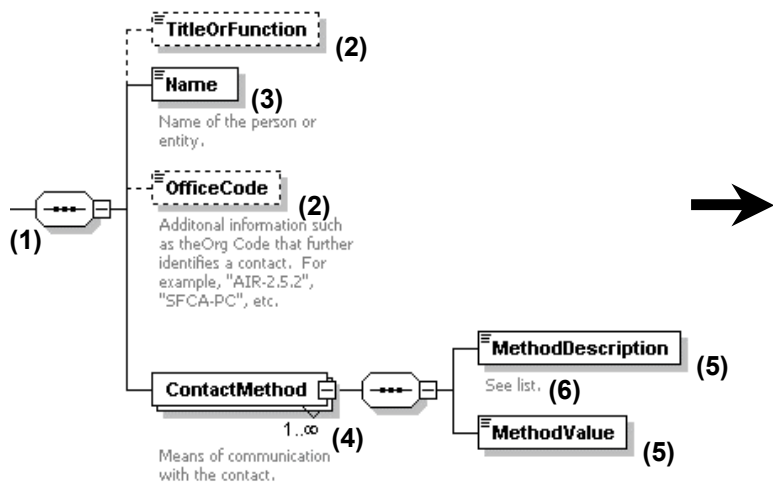


- Dotted Box denotes an optional element or section.
- Only one instance of the element or section allowed ($0-\infty$, $1-\infty$, etc. missing).
- This is an element that can contain data, not a section since  is missing.
- "TitleOrFunction": XML Tag Name of the element.



- Choice
- Only one of the Elements and sections following the sequence may be provided.

Understanding the PDS Schema



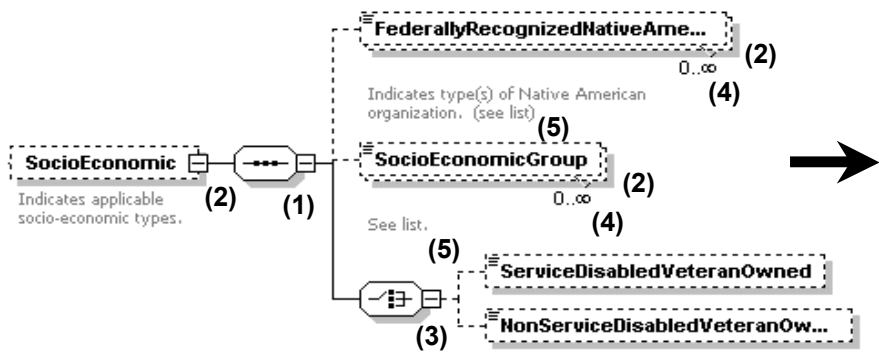
Sample XML snippet:

```

<Contact>
  <TitleOrFunction>Contracting Officer</TitleOrFunction>
  <Name>Joseph Smith</Name>
  <ContactMethod>
    <MethodDescription>Email</MethodDescription>
    <MethodValue>JSmith@anywhere.mil</MethodValue>
  </ContactMethod>
  <ContactMethod>
    <MethodDescription>Telephone</MethodDescription>
    <MethodValue>540-329-0110 x231</MethodValue>
  </ContactMethod>
</Contact>
  
```

1. Sequence of 3 elements and 1 section.
2. Optional data elements "TitleOrFunction" and "OfficeCode".
3. Mandatory data element "Name".
4. 1-∞: Must provide one or more instances of the "ContactMethod" section.
5. For each "ContactMethod" section, the data elements "MethodDescription" and "MethodValue" are required.
6. When the phrase "See list." or "(see list)" is at the end of a data element's description, there is an enumeration list (pick list) of acceptable values.

Understanding the PDS Schema



Sample XML snippet:

```
<SocioEconomic>
  <SocioEconomicGroup>Labor Surplus Area Firm</SocioEconomicGroup>
  <SocioEconomicGroup>Women Owned Business</SocioEconomicGroup>
  <ServiceDisabledVeteranOwned>Yes</ServiceDisabledVeteranOwned>
</SocioEconomic>
```

1. Sequence of 3 elements.
2. Optional Section "SocioEconomic".
3. Choice of two elements. Since the individual elements are optional, don't have to choose either. If they were mandatory (closed box), would have to choose one.
4. 0-∞: May provide one or more instances of the "FederallyRecognizedNativeAmericanEntity" and "SocioEconomicGroup" elements.
5. When the phrase "See list." or "(see list)" is at the end of a data element's description, there is an enumeration list (pick list) of acceptable values.

